

Multi-band Log Periodic Antenna Installation Instructions



INTRODUCTION

Thank you for purchasing this RFI log periodic antenna. It is a high gain multi-band directional antenna covering all international cellular, mobile and wireless bands including G850/GSM900/GSM1800/3G2100/LTE & 5G/CBRS as well as 2.3-2.7GHz licensed and unlicensed data bands. It is designed to provide extra signal strength and hence faster speed to your wireless broadband service or mobile phone.

IMPORTANT: For maximum signal, we recommend external mounting to reduce signal losses caused by building structures etc.

CONTENTS

Before assembling and installing your antenna, please check that the kit includes all the following components.

| Log periodic and with either (depending on version purchased): | |
|--|---|
| LPDA7038-11-10SMS | 10m cable terminated with SMA male connector |
| LPDA7038-11-0.5NF | 0.5m cable terminated with N female connector |
| LPDA7038-11-PIM | 0.6m cable terminated with N female connector |

| Mounting bracket kit including: |
|---------------------------------|
| 2 x Econo-brackets |
| 2 x U-bolt (SS) M6x60x90mm |
| 4 x M6 nuts (SS) & washers |

INSTALLING THE ANTENNA

Before assembling and installing your antenna, please check that the kit includes all the following components.

Mounting Location

To get optimum performance from the antenna it should be pointed towards the strongest available network signal (base station). Choose a suitable location on the building to mount the antenna so that it is clear of any obstructions when pointed towards the strongest base station.

1. Connect the antenna to your data card or modem. The 10 metre version comes ready to connect to devices using an SMA type connector. If you have purchased the 0.5/0.6 metre versions, you will require additional cable terminated with an N Type male & the appropriate connector for your device. For devices using other connector types, a patch lead to connect the antenna (SMA) to the device (phone or data card) will be required (not included). Please contact your retail or network provider for availability.

IMPORTANT: Some data cards or modems will only detect the connection of an external antenna on power up.

2. Connect the data card or modem to your computer and follow the manufactures instructions to open the management software so that the screen shows the received signal strength. You may need to turn off your system and power up again after you have connected the antenna.
3. Once you have connected to the network, check the signal strength* indicator on your computer.
4. Place the antenna in your selected location and rotate it in 15-20 degree increments. In each position, check & record your signal strength. You may need to wait for up to a minute for the signal strength indicator to update.
5. When you find the best signal strength, mount the antenna facing in this direction.

Your network provider (or retail outlet) should be able to provide you with details of your nearest base station.

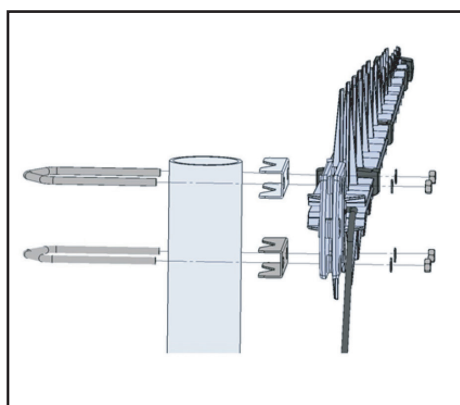
* **NOTE:** Signal strength may be displayed either graphically with bars where more bars mean stronger signal strength or as a signal level value in dBm where the closer to 0 (zero), the better. For example, a signal level of -75dBm is better than a signal level of -85dBm.

Multi-band Log Periodic Antenna Installation Instructions

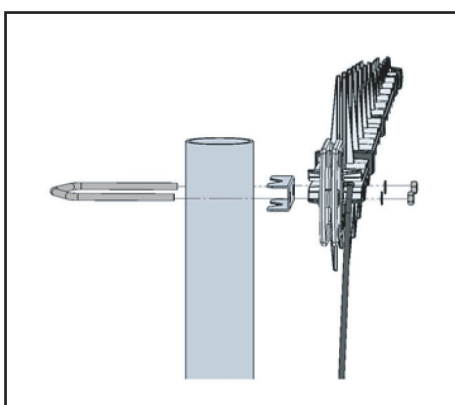
INSTALLING THE ANTENNA

The antenna must be mounted on a vertical pole (maximum 60mm dia.) such as a typical TV antenna pole or hockey stick mount which allows full 360° rotation and above the level of the roof so that it have a clear view if the closest base station.

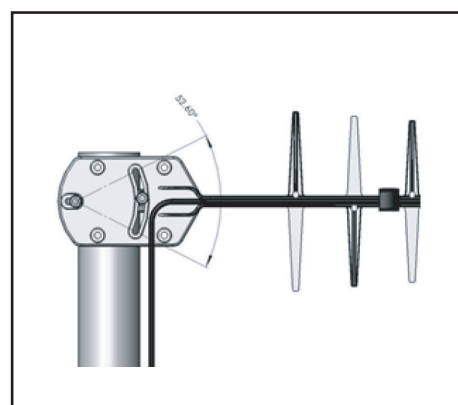
1. Assemble the brackets on the mast as shown in the exploded diagram and tighten nuts finger tight.
2. Align the antenna in the direction of the base station.
3. Fasten nuts on U bolts with 10mm wrench/spanner, but do not over tighten.
4. Be sure to provide strain relief for the cable by securing it the mounting structure (pole) near the antenna using a cable-tie or suitable tape (not provided).



Dual U-bolt Mounting Single



U-bolt Mounting



COMPLETING THE INSTALLATION

If you have not already done so, you can connect the cable to the antenna and your data device. You may now adjust both the direction and the angle of the antenna (only if single U bolt mounting is chosen.) to fine tune the alignment of the antenna to receive maximum signal (see Mounting Section).

Please check the following on completion of the installation:

- Ensure all cable connections are tight.
- Ensure all screws / nuts are tight.
- Ensure the cable between the antenna and the device has been routed in a safe manner and is not a future hazard around the home or workplace.