

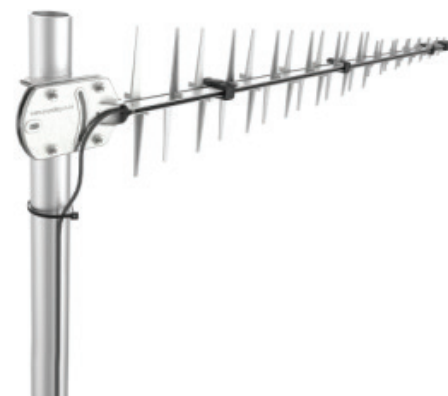
Wideband Log Periodic Dipole Array Antenna

698-960, 1710-2700 & 3400-3800 MHz

LPDA7038 Series



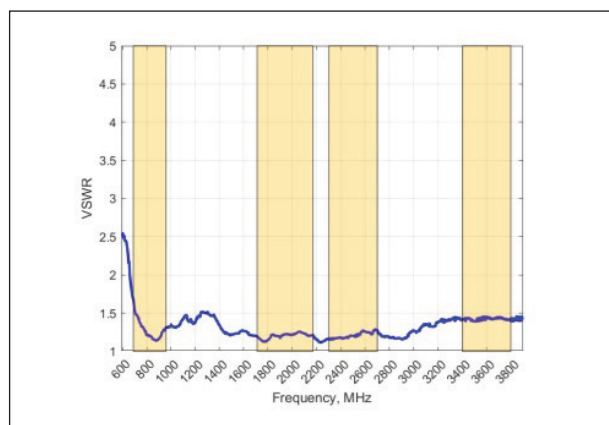
This high-gain, wideband, directional antenna covers all international cellular, mobile, and wireless data bands including GSM 900/GSM1800/UMTS/LTE & 5G bands. Its configuration is suitable for various wireless communications systems. This antenna is unique in its combination of ultra-wide-band operator with a consistent high-gain performance. It has been successfully used in extreme weather environments. A firm favourite, in any area where operators are having signal challenges. It is ideal for any application using the GSM network (LTE/HSPA/3G/EDGE/GPRS).



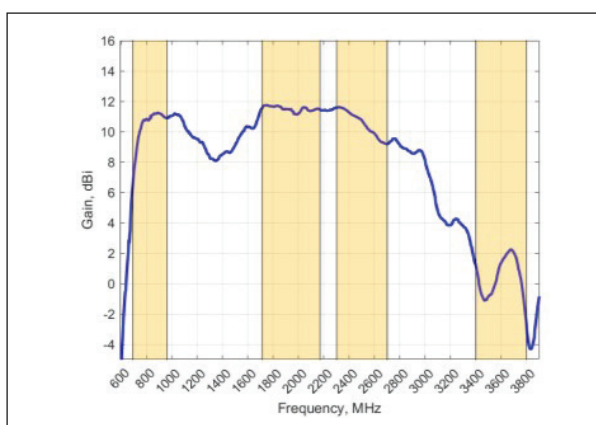
Key Features:

- Futureproof wideband LTE and Wi-Fi antenna covering 690 – 3800 MHz
- Compatible with 2G, 3G and 4G technologies
- 5G Ready; includes 3.4 GHz to 3.8 GHz CBRS Band
- Improves mobile network subscriber's user experience
- Weather and vandal resistant
- Can be used in extreme weather environment

Typical VSWR:



Typical Gain:



Note: VSWR measured with 5m low loss cable

Electrical Specifications

Model Number	LPDA7038-11-4.3-10	LPDA7038-11-10SMA	LPDA7038-11-0.5NF	LPDA7038-11-PIM
Standards	698-960 / 1710-2700 / 3400-3800			
Nominal Gain <i>dBi</i>	10.8 / 11 / 2.3			
VSWR	<1.5:1 across 95% of the bands			
Impedance Ω	50			
Power <i>W</i>	10			
Vertical Beamwidth	50° ($\pm 5^\circ$)			
Horizontal Beamwidth	55° ($\pm 5^\circ$)			
Front to Back Ratio	20 dB (± 3 dB)			

Mechanical Specifications

Model Number	LPDA7038-11-4.3-10	LPDA7038-11-10SMA	LPDA7038-11-0.5NF	LPDA7038-11-PIM
Dimensions mm	1112 x 200 x 47			
Weight <i>kg</i>	1.65			
Mounting	Stainless Steel bracket to suit up to \varnothing 60mm (included)			
Cable & Connector	0.5m HDF 195 terminated with 4.3-10 M connector	10m HDF 195 terminated with SMA male connector	0.5m HDF 195 terminated with N female connector	0.6m RG142 terminated with N female connector
Wind Survival <i>km/h</i>	≤ 160			
Temperature $^\circ\text{C}$	-40 to +70			
Ingress Rating	IP65			
Salt Spray	MIL-STD 810F/ASTM B117			
Impact Resistance	IK08			
Standards	CE & RoHS			

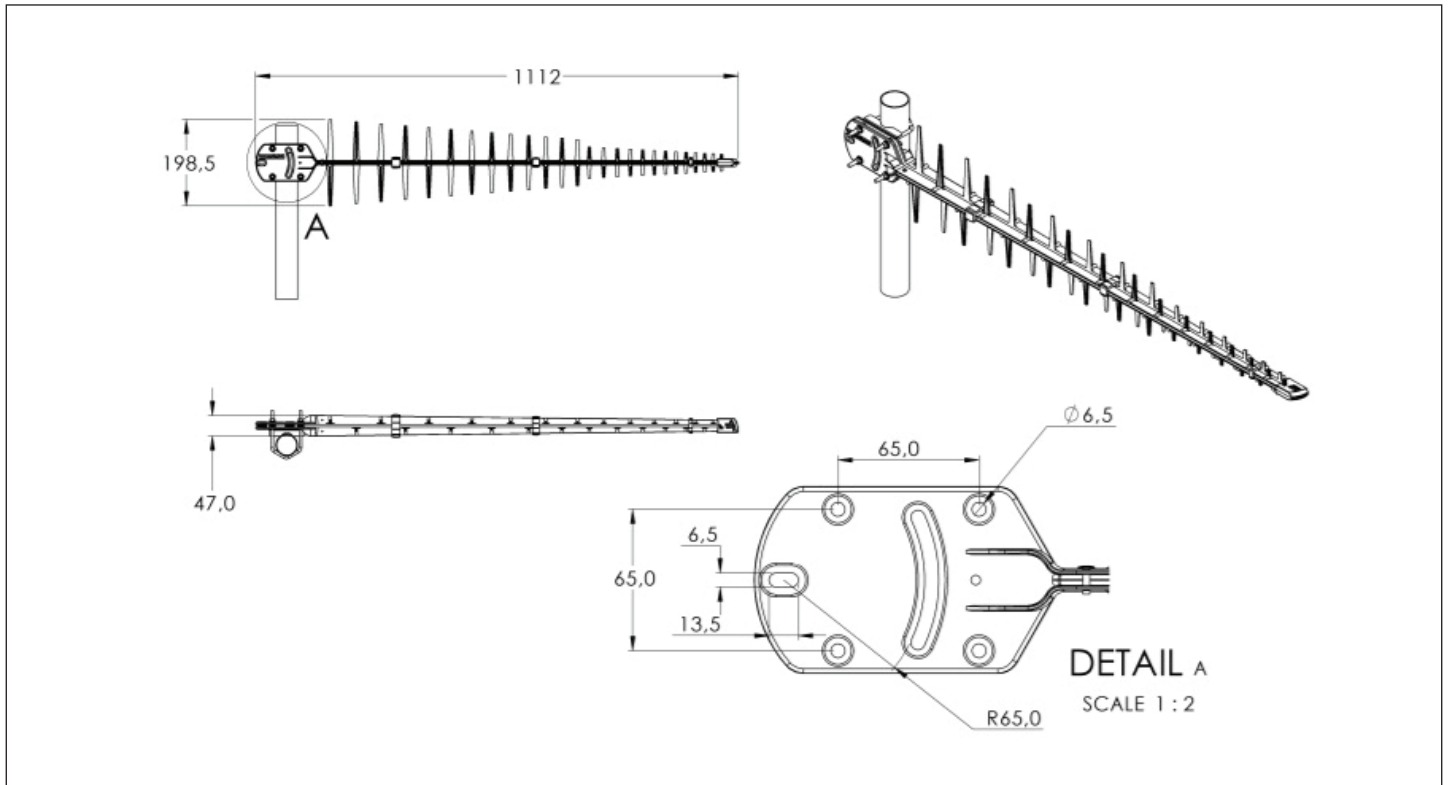
Wideband Log Periodic Dipole Array Antenna

698-960, 1710-2700 & 3400-3800 MHz

LPDA7038 Series



Mechanical Drawing



Wideband Log Periodic Dipole Array Antenna

698-960, 1710-2700 & 3400-3800 MHz

LPDA7038 Series



Radiation Patterns

